

# SP-120R-1J64

Industrial fanless 12.1" Panel PC , w/ Intel® Elkhart Lake Celeron J6412 Processor



## Features

- Intel® Celeron® J6412 CPU Elkhart Lake(2.0 GHz/2.6GHz)
- 12.1" inches LCD panel with LED backlight, front panel support IP66
- Industrial-grade true-flat 5-wire resistive touch screen
- Support Mini-PCIe/M.2 extension of multiple modules
- Support dual 2.5GbE LAN
- Support remote ON-OFF
- Grounding protection for product shell
- Support standard VESA and panel mount



HDMI



Over-voltage  
Protection



USB 3.1



-10~60°C



Wide Voltage  
Range



Reversed  
Power Insertion  
Protection

## System

CPU	Intel® Celeron® J6412 CPU Elkhart Lake (2.0 GHz/2.6GHz)
Memory	1 x DDR4 2133/2400/3200hz SO-DIMM slot, up to 32GB 4GB DDR4 SO-DIMM pre-installed*(CTOS)
Graphics	Intel® UHD Graphics for 10 <sup>th</sup> Gen Intel® Processors
LAN	2 x Intel® I226-V 2.5GbE controllers
Watchdog Timer	Programmable 255 levels timer interval, from 1~255 sec/min

## Storage

Device	1 x M.2 2242 SSD slot 128GB M.2 SSD pre-installed*(CTOS)
--------	---

## Audio

Type	1 x Audio(Line-out&Mic-in 2 in 1)
Speaker	Realtek® ALC888S HD Audio codec 4Ω3W speakerx2

## LCD Display

Size/Type	12.1" TFT LCD Panel
Max. Resolution	1024 x 768
Ratio	4:3
Luminance	450 cd/m <sup>2</sup>
Contrast Ratio	700:1
Backlight	LED Backlight
Backlight Lifetime	50000 Hrs
Touch Screen	Industrial-grade true-flat 5-wire resistive touch screen
Touch	35,000,000 times
View Angle (U/D/R/L)	80°/80°/80°/80°

## Power System

Power Input	DC 12~36V 1 x Power Connector (2P Phoenix)
-------------	---

## Qualification

Certification	CE, FCC
---------------	---------

## External I/O

Expansion Bus	1 x Mini PCIe slot (PCIe x1+ USB2.0, Full (for Wireless connection) size) w/ 1 x SIM card slot
Serial Ports	1 x RS232/RS422/RS485(COM1) 1 x RS232(default)/RS485(Jumper)
USB Ports	2 x USB2.0, 2 x USB3.1
LAN	2 x RJ45
Video Ports	1 x HDMI (up to 4096x2160@60hz)
Remote On-Off	1 x Remote ON-OFF

## Internal I/O

Expansion	1 x Mini-PCIe slot (PCIe/ USB2.0 signal supported)
	1 x M.2 2230 slot (PCIe/ USB2.0 signal supported)
	1 x M.2 2242 slot(SATA signal supported)
	1 x SIM socket for 3G/4G
	1 x 8bit GPIO 3.3V(jumper)/5V(default) power
	2 x RS232 2 x USB2.0--For Touch 1 x SATA3.0/Power 5V for HDD

## Mechanical

Mounting Type	Panel Mount, Wall and VESA-mount (75 x 75mm)
Chassis	Aluminum for front Panel and heat-sink, SECC for Rear Cover
Dimension (W x H x D)	307(W) x 241.6(H) x 60(D) mm
Cut out	299 x 233.6mm
Weight (Net)	2.9 kg

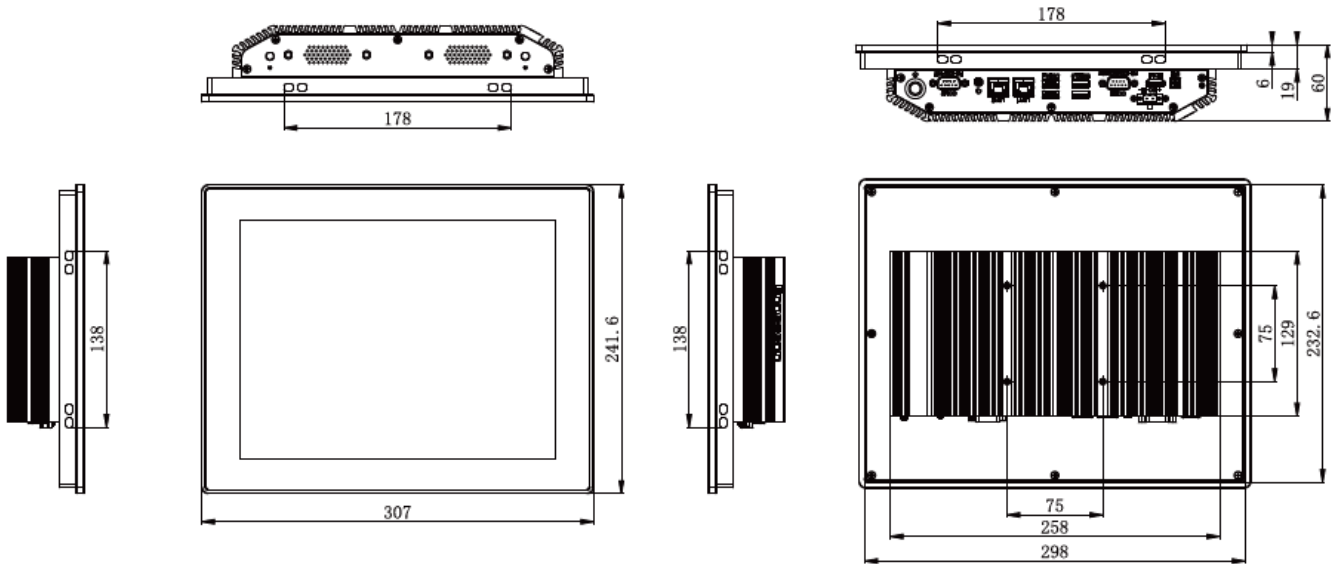
## Environmental

Operating Temp.	-10 ~ 60°C
Storage Temp.	-40 ~ 70°C
Operating Humidity	5 ~ 95% (non-condensing)
Random Vibration	5~500Hz, 2Grms operation
Sine Vibration	5~500Hz, 2G Non-operation
Shock	10g 11ms operation, 30g 11ms Non-operation

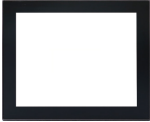
\*CTOS means Configure-to-Order Service.

# SP-120R-1J64

## Dimensions



## Ordering Information

SP-120R-1J64	Barebone 12.1" (4:3) Panel PC with Intel Celeron Elkhart Lake J6412, R-touch, HDMI*1, USB*4, LAN*2, COM*2, DC12-36V power input	
SP-120R-1J64-R4S128	12.1" (4:3) Panel PC with 4GB RAM & 128GB SSD, Intel Celeron Elkhart Lake J6412, R-touch, HDMI*1, USB*4, LAN*2, COM*2, DC12-36V power input	
PAC-60W-FSP-SPA R1.0	AC/DC ADAPTER KIT (W/UKCA),12V,60W,2 WIRE w/ USA POWER CORD	
PAC-60W-FSP-SPA R1.1	AC/DC ADAPTER KIT (W/UKCA),12V,60W,2 WIRE w/ EU POWER CORD	
PAC-60W-FSP-SPA R1.2	AC/DC ADAPTER KIT (W/UKCA),12V,60W,2 WIRE w/ UK POWER CORD	
PAC-60W-FSP-SPA R1.3	AC/DC ADAPTER KIT (W/UKCA),12V,60W,2 WIRE w/ IN POWER CORD	