



Features

- LED backlight
- Steel Chassis
- Resistive touch screen (optional)
- VGA input , 12V DC power jack
- DVI-I, RCA, S-Video (optional)
- 11~32V power (optional)

Specifications

System	
On screen display	On the rear side

IO Port	
Graph	1 x VGA Option: 1 x VGA 1 x DVI-I 1 x RCA 1 x S-Video

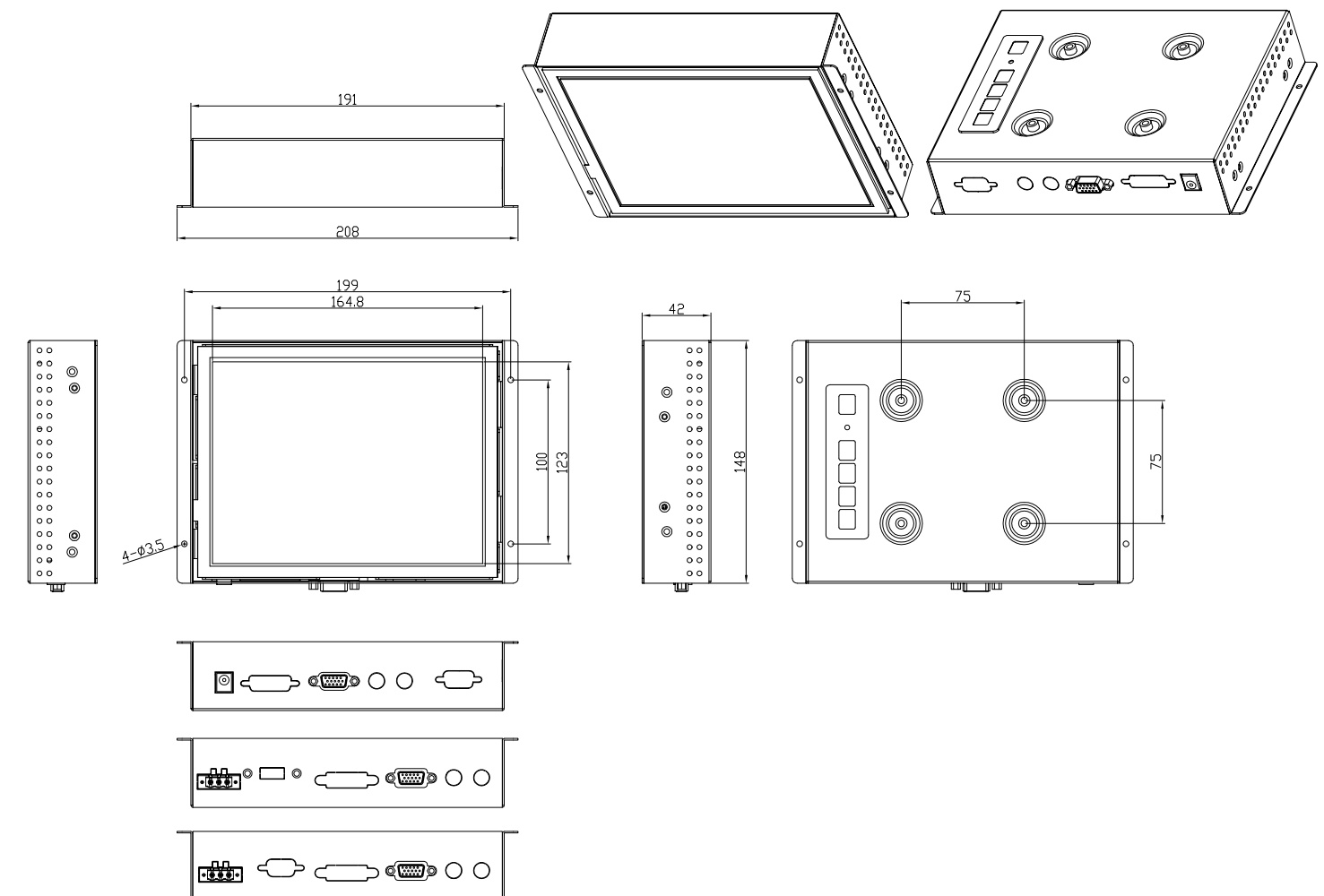
Display	
Display type	8" TFT-LCD
Max. resolution	800x600
Max. color	16.2M
Luminance(cd/m ²)	350
View angle(H°/V°)	125/140
Contrast	500:1
Backlight lifetime(hrs)	40,000

Touch Screen	
Type	Resistive type
Interface	USB/RS-232
Light transmission (%)	80%

Power	
Power input	12V Optional: 11~32V DC

Mechanical	
Construction	Steel Chassis
IP rating	None
Mounting	Panel mounting, VESA 75 x 75
Dimension(mm)	191(W)x148(H)x42(D)mm 208(W)x148(H)x42(D)mm(panel mount)
Net weight(Kgs)	1.2

Dimensions



Environment	
Operating temperature(°C)	0°C ~ 50°C (32 ~ 122°F)
Storage temperature(°C)	-20°C ~ 60°C (-4 ~ 140°F)
Storage humidity	10 to 90%@ 40°C, non-condensing
Certification	CE/FCC Class A