



Features

- 15.6" New Generation Stainless Steel Display
- True Flat Front Bezel Design and Grade 304 Stainless Steel Enclosure (Grade 316 for Option)
- IP66/IP69K Rated with M12 Connectors
- Support Resistive Touch, Projected Capacitive Touch, and Glass
- Touch on/off Button on the Side Edge for Hygienic Cleaning
- Support Ergonomic Versatile Mounting: Yoke Mounting / Space-saving VESA 75 mm Mounting

Specifications

Outside I/O Port- Standard M12 I/O Connector on the rear	
USB	1 x M12 VGA by 12-pin cable with waterproof cover and chain
HDMI	1 x W.F. HDMI with waterproof cover and chain
Touch	1 x M12 for USB touch with waterproof cover and chain
Power	1 x Power input 1 x Touch on/off button on the side
OSD Control Membrane	OSD on the rear side
Speaker	1 x 2W IP65 speaker (optional)

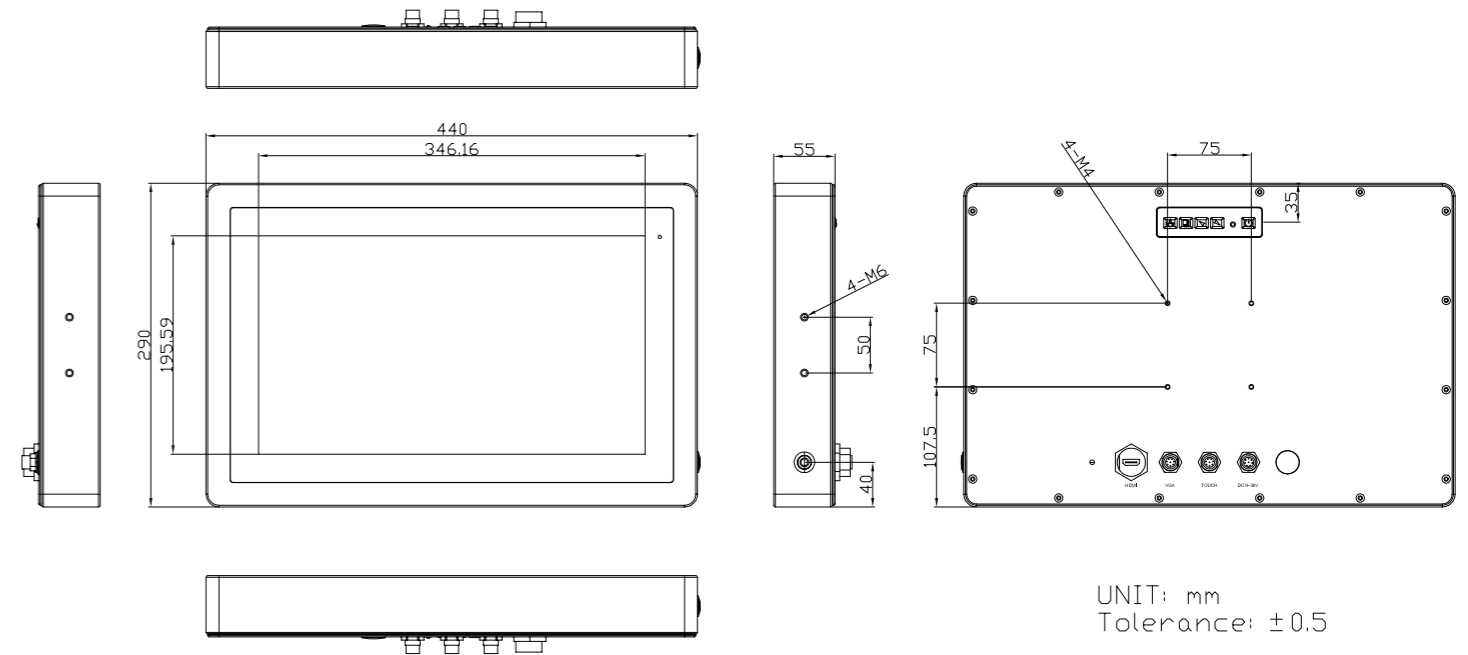
Display	Standard	High Brightness optional
Display Type	15.6" color TFT LCD	15.6" color TFT LCD
Max. Resolution	1366 x 768	1366 x 768
Max. Color	16.7M	16.7M
Luminance (cd/m ²)	300	1000
View Angle	160(H) / 160(V)	160(H) / 160(V)
Contrast	500: 1	500:1
Backlight Lifetime	50,000 Hrs	50,000 Hrs
Option	Optical Boading	Optical Boading

Touch Screen	Resistive Touch	PCT	Glass
TS Control IC	PenMount 6000 on Board	Chip on tail	NA
Interface	USB interface	USB interface	AR/AG(option)
Light Transmission	Over 80%	Over 90%	Over 90%

Power	
Power input	9~36V DC
Power Consumption	TBD

Mechanical	
Color	304 Stainless Steel Enclosure (Default) 316 Stainless Steel Enclosure (Optional)
Construction	Stainless steel enclosure
Mounting	VESA mount 75 x 75, Yoke mount
IP Rating	IP66/IP69K
Dimension	440 x 290 x 55 mm
Net Weight	TBD

Dimensions



UNIT: mm
Tolerance: ±0.5

Environmental	
Operating temperature(°C)	-20~60°C
Storage temperature(°C)	-30°C~70°C
Storage humidity	10 to 90% @ 40°C, non-condensing
Certification	CE/FCC class A

Ordering information	
ViTAM-116P-01	15.6"/1366x768/S.S./PCT(USB)/9~36V/w ADP
ViTAM-116R-01	15.6"/1366x768/S.S./RT(USB)/9~36V/w ADP
ViTAM-116G-01	15.6"/1366x768/S.S./GLASS/9~36V/w ADP
ViTAM-116PH-01	15.6"/1366x768/1000NITS/S.S./PCT(USB)/9~36V/w ADP
ViTAM-116RH-01	15.6"/1366x768/1000NITS/S.S./RT(USB)/9~36V/w ADP
ViTAM-116GH-01	15.6"/1366x768/1000NITS/S.S./GLASS/9~36V/w ADP